

New high-efficiency 2-way driver bearing the same good breedings as those of the DS701 & DS702, corresponding to latest exciters EX103 & EX102.

## FEATURES

- Both of the woofer and tweeter are composed of field-excitation coaxial 2-way systems.
- Epoch-making new magnetic circuitry to prevent magnetic flux leakage at the pole piece, thus achieving the maximum possible suppression of flux loss.
- Realisation of the first-in-the-history powerful flux density thanks to innovative coil system enabling to provide DC 16V to the woofer's magnetic circuit.
- Maximum allowable loads levied to the horn, thanks to special configuration to place the diaphragm at the rear of the magnetic circuitry inherited from the DS702.



- |                      |                        |                         |   |
|----------------------|------------------------|-------------------------|---|
| ■ Description        | : Coaxial 2way Speaker | ■ Magnetic Flux Density | : 20,000 Gauss (Horn)                         |
| ■ Max input          | : 150W                 |                         | 16,000 Gauss (Woofer)                         |
| ■ Rated input        | : 30W                  | ■ Crossover Frequencies | : 1,000Hz                                     |
| ■ Frequency response | : 25Hz ~ 20,000Hz      | ■ Dimensions            | : $\phi 402 \times \phi 200 \times 330H$ (mm) |
| ■ Sensitivity        | : 106dB                | ■ Weight                | : 40kg  |
| ■ Impedance          | : $8\Omega$            | ■ Excitation Voltage    | : 10~13vDC / 13~16vDC(Woofer)                 |

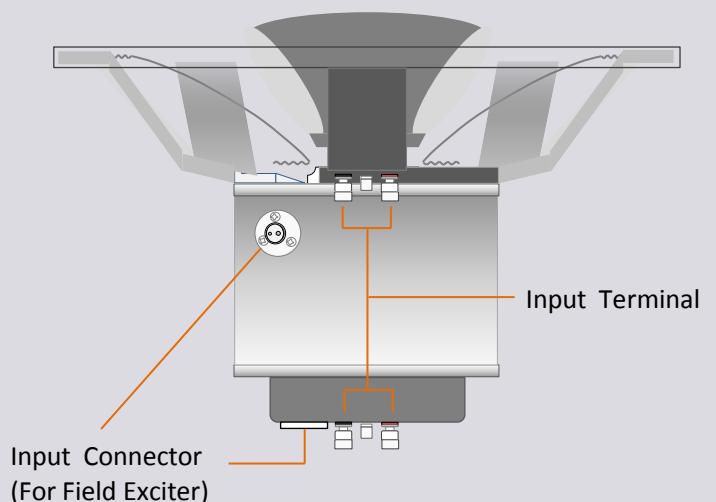
### Field-Exciter



Newest EX102 / EX103 boasting of an ideal driving power for exciter power supply

- Output Voltage : 10~13vDC / 13~16vDC

\* Photo showing the EX103 for 3 independent L & R channels.



Mount Size

