

New high-efficiency 2-way driver bearing the same good breedings as those of the DS701 & DS702, corresponding to latest exciters EX103 & EX102.



## FEATURES

- Both of the woofer and tweeter are composed of field-excitation coaxial 2-way systems.
- Epoch-making new magnetic circuitry to prevent magnetic flux leakage at the pole piece, thus achieving the maximum possible suppression of flux loss.
- Realisation of the first-in-the-history powerful flux density thanks to innovative coil system enabling to provide DC 16V to the woofer's magnetic circuit.
- Maximum allowable loads levied to the horn, thanks to special configuration to place the diaphragm at the rear of the magnetic circuitry inherited from the DS702.

■ Description	: Coaxial 2way Speaker	■ Magnetic Flux Density	: 20,000 Gauss (Horn)
■ Max input	: 150W		16,000 Gauss (Woofer)
■ Rated input	: 30W	■ Crossover Frequencies	: 1,000Hz
■ Frequency response	: 25Hz ~ 20,000Hz	■ Dimensions	: $\phi 402 \times \phi 200 \times 330H$ (mm)
■ Sensitivity	: 106dB	■ Weight	: 40kg
■ Impedance	: $8\Omega$	■ Excitation Voltage	: 10~13vDC / 13~16vDC(Woofer)

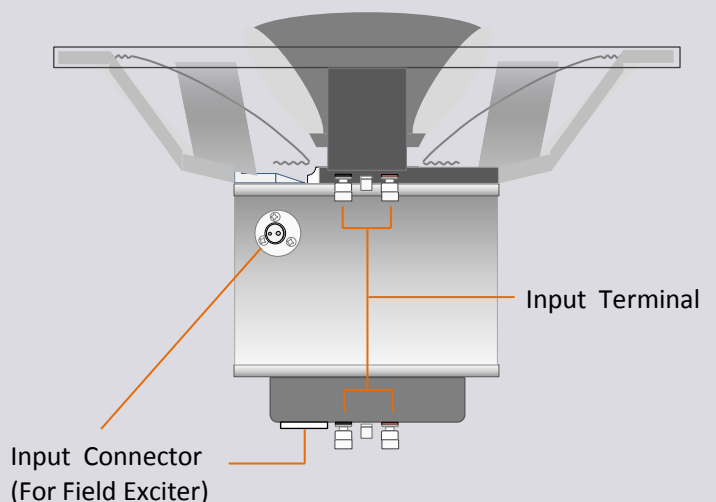
### Field-Exciter



Newest EX102 / EX103 boasting of an ideal driving power for exciter power supply

- Output Voltage : 10~13vDC / 13~16vDC

\* Photo showing the EX103 for 3 independent L & R channels.



Mount Size

